



ImageVet ISDC

**The X-Ray That Helps
Your Entire Clinic Run Better**

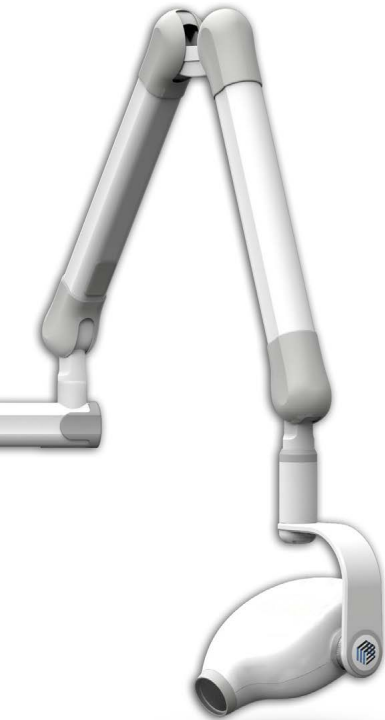
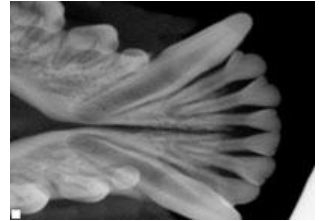
Best Image First Time Every Time

- 0.4 mm focal point means that you're getting the sharpest image in the industry.
- Typical power lines can create instability in the output of any x-ray. The ImageVet ISDC Power Correction assures highly stable and consistent output.



ImageVet ISDC Wall Mount

- Multiple arm length and mounting options available to customize for your unique needs.
- Seamlessly compatible with EVA Vet™ Digital Dental Imaging Systems.



Complete Studies Faster

- Ultra high-precision arm design allows ease of movement and motionless stability.

Reduced Dosage

- Patented shielding creates uniquely low radiation vs. other wall mounted x-rays.

Rock Solid Quality

- Life-cycle tested both mechanically and electrically over 200,000 cycles, assuring the unit will last a long time.



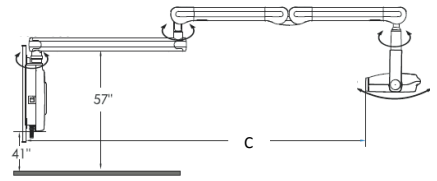
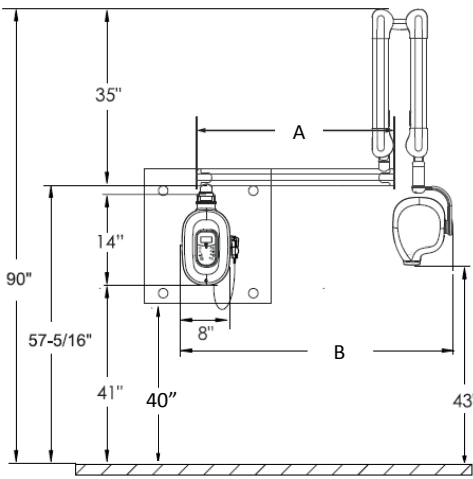
No Need to Train New Staff

- The intuitive interface makes operation so simple, even your least-experienced staff member will have no trouble. No training. No mistakes.
- Adjustable High Frequency: 55 - 70kV / 4 - 8 mA with thirty pre-programmed technique settings.



ImageVet ISDC Mobile

- All the performance of the wall mounted unit with the freedom to move.
- One unit for multiple operatories: Make your x-ray unit work for you by leveraging your investment across many different operatories.
- Small Footprint: Compact design fits in many tight spaces.
- Appropriate selections of kV and mA are automatically determined by tooth selection and patient size.
- Reduces harmful soft radiation, compared to conventional AC type machines.

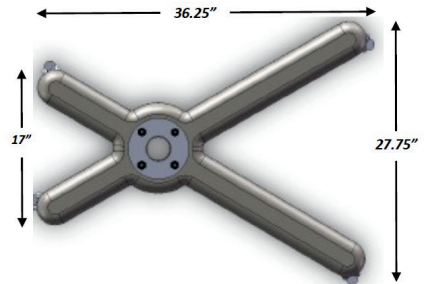


Part Number	Description
9992720200	Wall mounted x-ray with long arm A = 36", B = 47", C = 80"
9992720100	Wall mounted with medium arm A = 28", B = 38", C = 71"
9992720000	Wall mounted with short arm A = 19", B = 29", C = 61"
9992720300	Mobile Unit

Specifications

Line Voltage	110V + 10% 60Hz
Line Current	8 A
Tube Potential	60 to 70 kVp
Tube Current	4 to 8 mA
Exposure Time	0.04-4s
Min. Inherent Filtration	2.5 mm Al Eqv @ 70 kVp
Focal Spot	0.4 mm IEC 60336
Duty Factor	1:15
Ship Wt (Wall Mt)	100 lbs
Ship Wt (Mobile)	170 lbs

Mobile Unit Basestand



Our digital veterinary x-ray equipment is in use around the world and has helped tens of thousands of veterinarians identify pathology below the gum line, thereby saving and extending the lives of their patients.

IWV Digital X-Ray



www.iwvdigital.com
800-929-4413